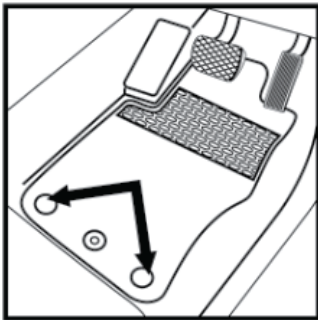


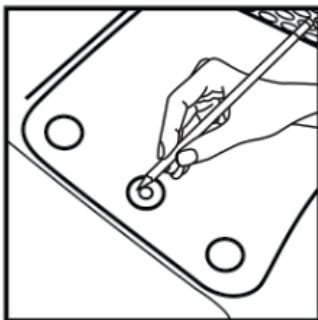
Floor Mat Fitting Instructions

- Do Not place mats over the top of another mat
- Always ensure the drivers side mat does not interfere with any of the pedals
- Ensure the drivers floor mat is secured using the Precision Lock Down System
- 2 Lugs are supplied with Custom Fit Floor Mats Lug requirements will vary by vehicle



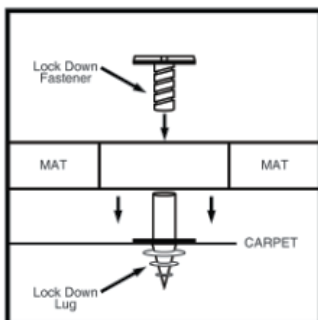
STEP 1

Lay Floor Mat in place and position outside holes in mat to accommodate the existing vehicle lock downs



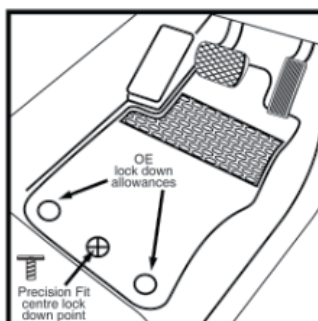
STEP 2

Mark the carper with a pencil through the centre of the lock down point



STEP 3

Remove mat and unscrew in lock down lug directly into carpet



STEP 4

Re-position the floor mat as per step 1. Use lock down fastener to secure mat via centre lock down point

For assistance please contact Coverworld during office hours on 07 5493 1400

Shop Online for vehicle accessories at www.coverworld.com.au